



Ningbo LuTen Drive Co.,Ltd

HALFS HAFT | DRIVE SHAFT | STEERING COLUMN

<https://www.lt-drive.com>

Contents



Profile



Market



Development



Growth plan



Contact us



01

Profile





Profile



Established in 2019

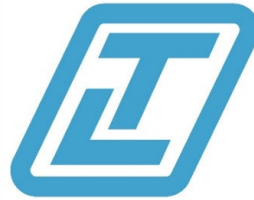
In 2021, LuTen passed IATF-16949 certification.

Annual

Half shaft : 300 thousand,
Drive shaft : 300 thousand,
Steering column : 80 thousand.



Course



2019



Supply half shafts to ZTE automobile

2020



Supply half shafts to INTIMIDATOR

2021



Supply half shafts ,drive shafts and Steering column to Segway.

Supply half shafts ,drive shafts to TORO

Supply half to SG Automotive

2022



Supply drive shaft to Landmaster.

Develop drive shafts to GWM

Develop drive shafts to LONCIN



Products



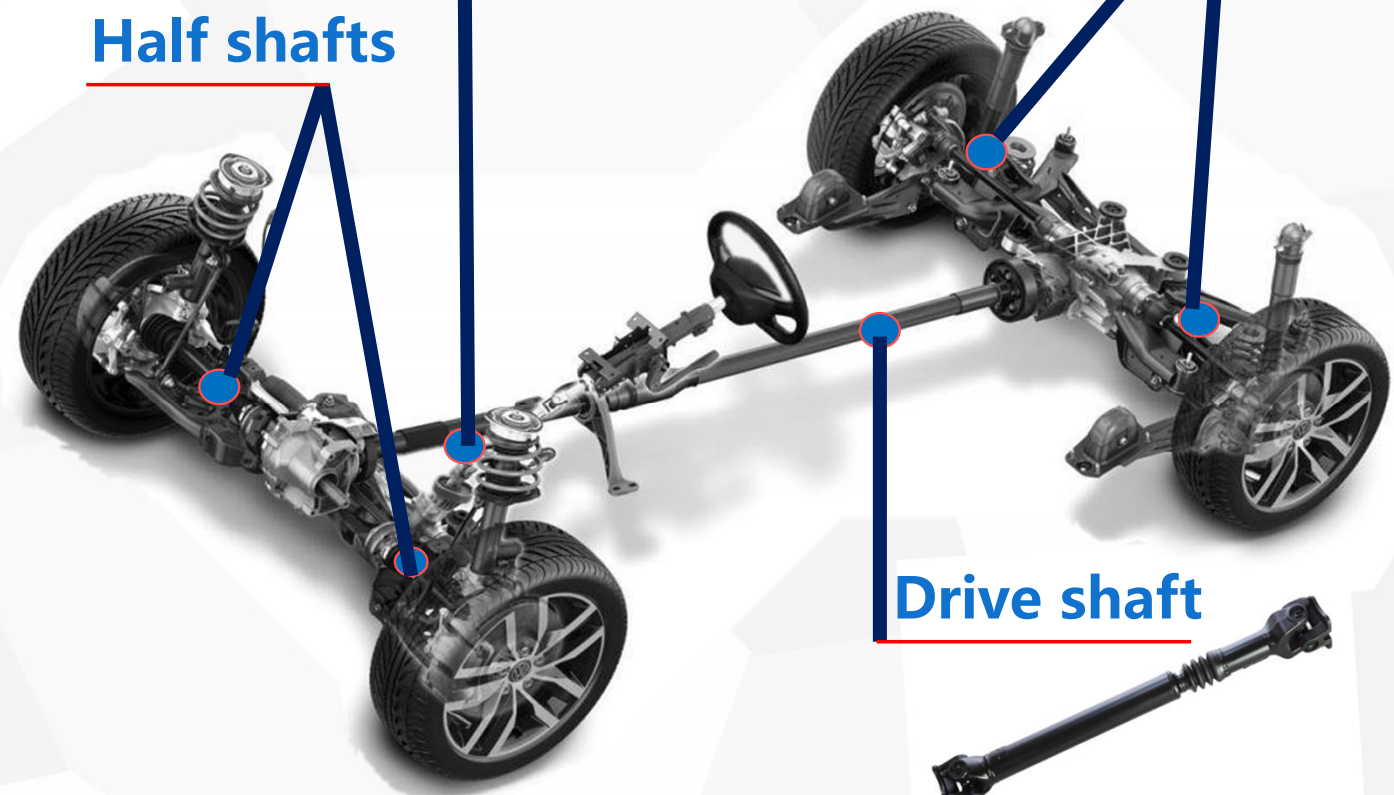
Half shafts



Steering column



Half shafts



Drive shaft



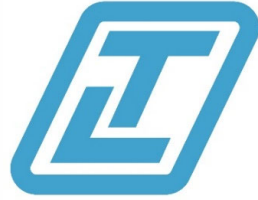


Products





Application



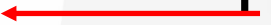
SUV



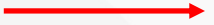
Express car



Pick-up



UTV



CAR



SSV



ATV



02

Market

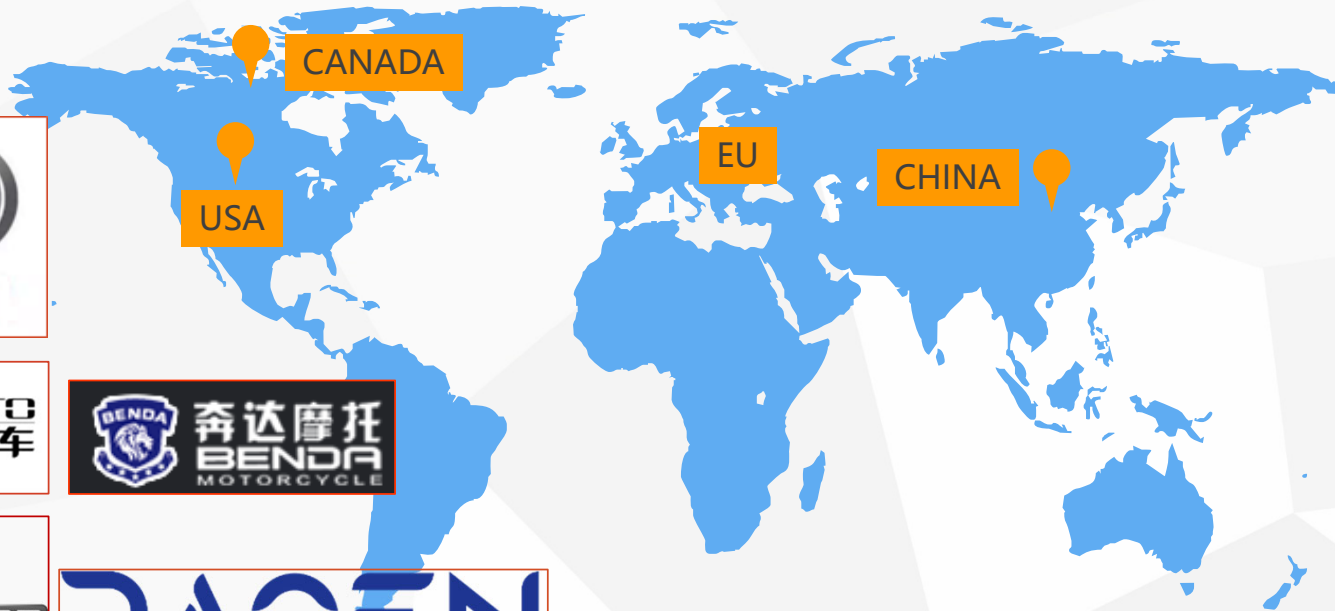




OEM Customers



OEM



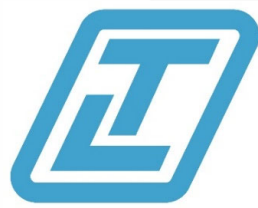
AM



- Strengthening modification
- a. 4340 Material
 - b. Polished chrome plating
 - c. Withstanding 175°C boot
 - d. Reinforcement structure
 - e. Custom coating



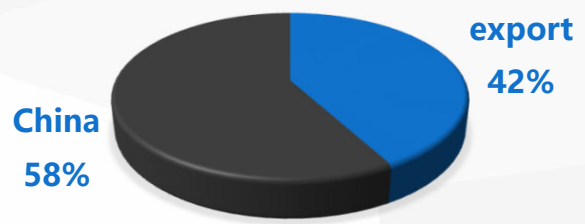
Sales distribution



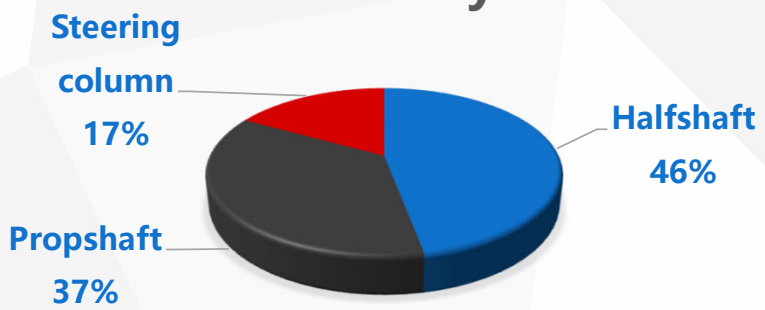
Market



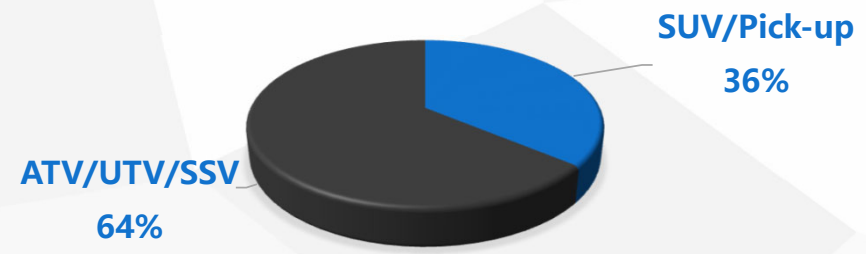
Export



Classify



Application



03

Development





Certificate



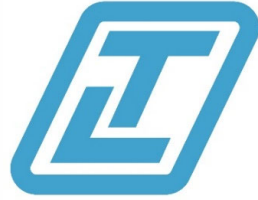
IATF-16949 authentication



Four patents

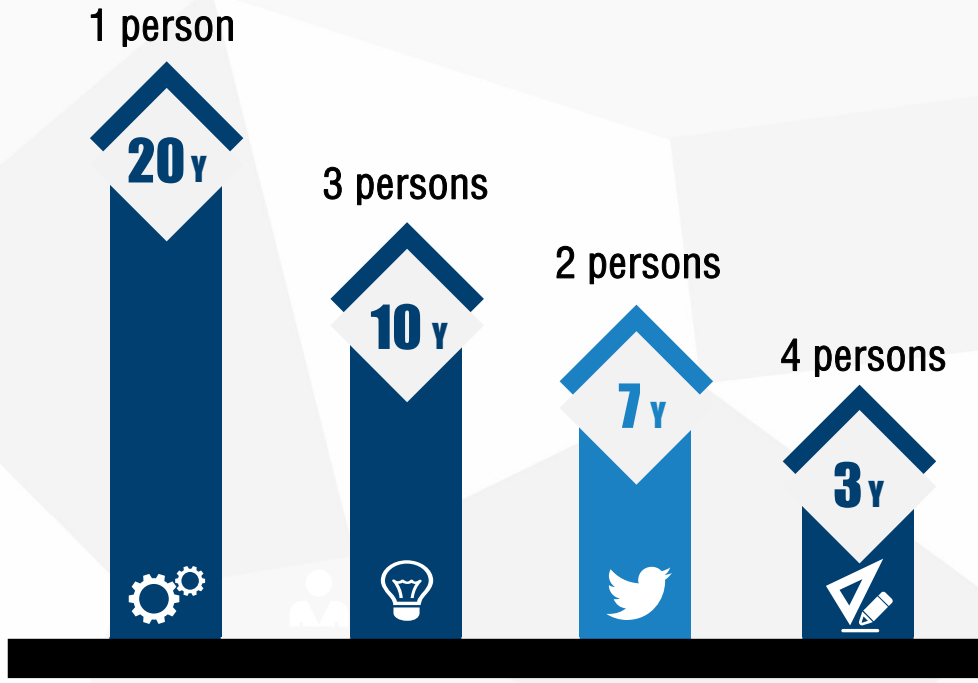


Technical team



team

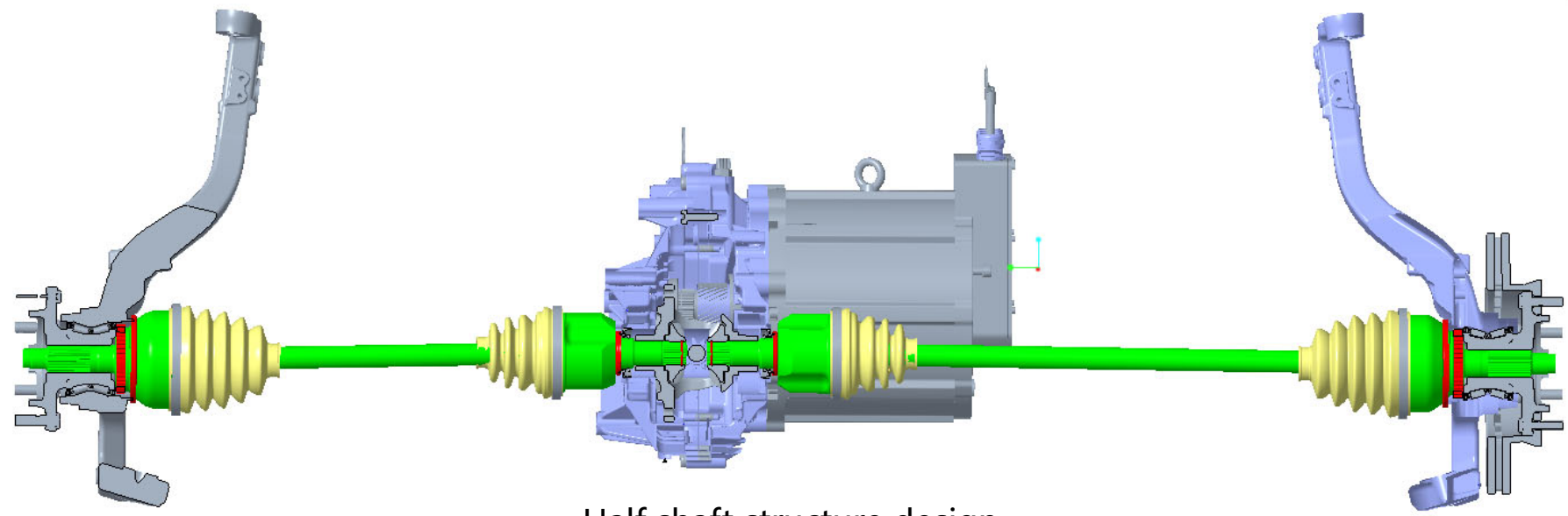
LuTen has senior employees and young employees, maintaining creativity. CAD/CAE includes Creo, CATIA and Abaqus in use.



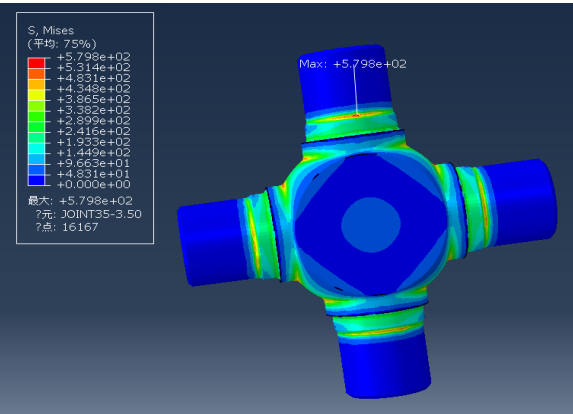
Development team experience



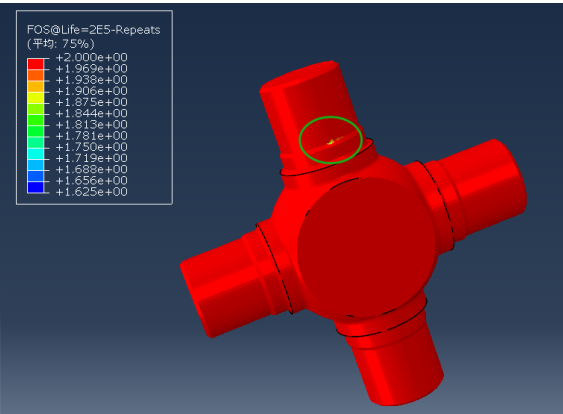
Design



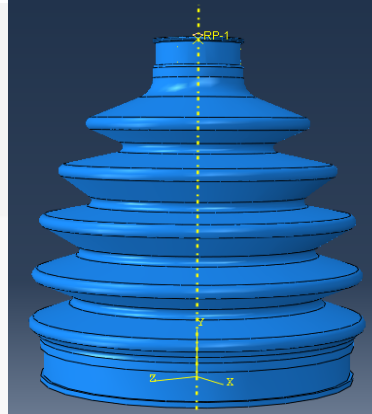
Half shaft structure design



Static analysis



Fatigue life analysis



Structure design and nonlinear large deformation analysis



Laboratory



optical measuring instrument



Projection measuring instrument



3D measuring machine

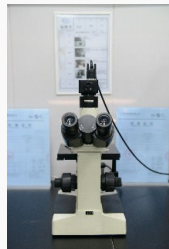


Static torque tester
0-10000Nm
0-45° angle

Just upgraded
CN dynamic fatigue testing machine
-5000Nm~5000Nm
0-45° angle
1-4Hz



Roughness profilometer



metallurgical microscope



Vickers hardness tester



Brinell hardness tester



Rockwell hardness tester



Shore hardness tester

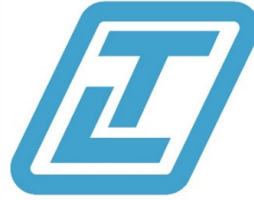
04

Growth plan

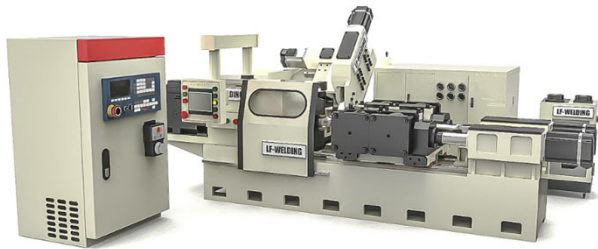




Machine investment



In 2023, LuTen is planned to purchase additional friction welding machines, testing machines, internal grinding machines and external grinding machines, with a planned investment of US \$300,000.



Testing machine

1 sets

Welding machine

1 set

Machining machine

2 sets



Thanks !

HALF SHFAT | DRIVE SHAFT | STEERING COLUMN

E-mail: allen@lt-drive.com | carl@lt-drive.com